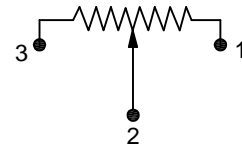
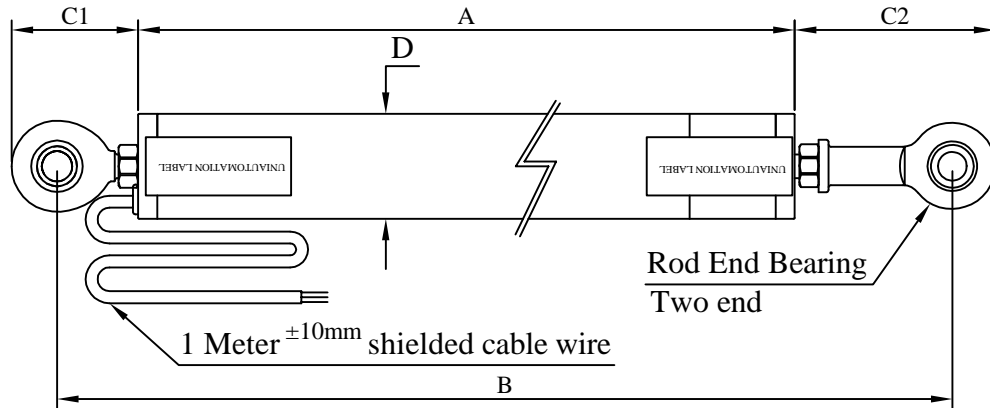


Dimensions :- Metric

DIMENSIONS :- METRIC



ELECTRICAL SCHEMATIC DIAGRAM

STANDARD CHART FOR LINEAR POTENTIOMETER WT 22 RESISTANCE VALUE

Sr.	STROKE	RESISTANCE RANGE
1.0	50 MM	5 KΩ ± 20%
2.0	75 MM	
3.0	100 MM	
4.0	150 MM	10 KΩ ±20%
5.0	200 MM	
6.0	250 MM	
7.0	300 MM	

PART NUMBER	149706	149707	149705	149708	149601	149709	149710	
WT 22 series Stroke length	50	75	100	150	200	250	300	Tol.
Electrical stroke length	50	75	100	150	200	250	300	±5.0
Mechanical stroke length	55	80	105	155	205	255	305	±5.0
Body length - A	146	166	166	216	266	316	366	±1.0
REB center to center- B	196	216	216	266	316	366	416	±1.0
Body diameter - D	Dia 22							±0.2
Mounting accessories C1 & C2 Detail page : 2 of 3	Optional : Link ball, One side REB, Mounting Clamp							----
Out put Signals Module (Optional ) Details Page: 3 of 3	4-20 mA, 0-10 VDC module, Display unit.							----
Spring return device (Optinal Feature)								

ELECTRICAL CHARACTERISTICS	UNITS	VALUE
RESISTANCE ELEMENT...	--	CONDUCTIVE PLASTIC
RESISTANCE TOLERANCE...	±%	30
STANDARD INDEPENDENT LINEARITY TOLERANCE...	±%	0.5
BEST POSSIBLE LINEARITY TOLERANCE...	±%	0.1
RESOLUTION...	--	ESSENTIALLY INFINITE
TEMPERATURE COEFFICIENT OF RESISTANCE(TCR)...	ppm/deg C	±400
INSULATION RESISTANCE @ 500 VDC...	M Ohms	500
DIELECTRIC STRENGTH @ 50 HZ...	V dc	500
ELECTRICAL LIFE (STROKE)...	STROKES	5,000,000
END VOLTAGE AS A % OF APPLIED VOLTAGE...	%	LESS THAN 0.5

MECHANICAL CHARACTERISTICS :-		
BEARING TYPE...	--	SLEEVE
TORQUE STARTING...	Nmm (Oz inch)	10 (1.416 )
TORQUE RUNNING...	Nmm Oz inch	5 (0.708 )

ENVIRONMENTAL CHARACTERISTICS :-		
OPERATING TEMPERATURE...	DEGREES C	-40 to +105
ROHS COMPLIANCE...	--	YES

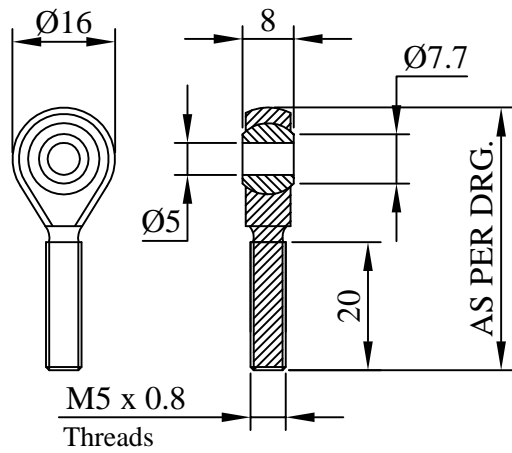
MATERIALS OF CONSTRUCTION:-		
HOUSING...	--	ALUMINUM BLACK ANODIZED
SHAFT...	--	STAINLESS STEEL

NOTE :-  
CONTINUOUS IMPROVEMENTS ARE BEING MADE FOR ENHANCING PERFORMANCE FOR CUSTOMER BENEFIT IN PRODUCT DESIGN & PROCESS. THE PRODUCT SUPPLIED MAY BE SLIGHTLY DIFFERENT THAN DESCRIBED BY ABOVE SPECIFICATIONS

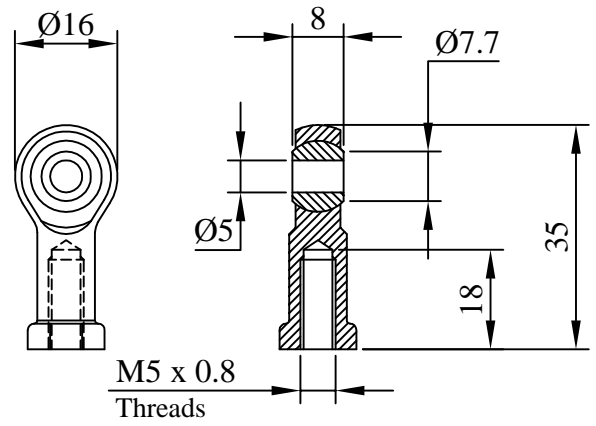
Uni-Automation (I) Pvt Ltd Tel/Fax:+91-(020)-24420890 www.uniautomation.com		<b>CONDUCTIVE PLASTIC LINEAR MOTION POTENTIOMETER</b>	
		<b>MODEL WT22 (xxx)</b>	
First Issue : 2011/16/06	Scale : 1:1		
Tolerances DIN-ISO 2768-1 (1991-06) (Tolerance class-medium)	UAPL PART NO SEE PART NO. TABLE		CUSTOMER DRAWING REF NO NA REV -00
		Customer : UAPL STANDARD	SHEET 1of3

# MOUNTING ACCESSORIES

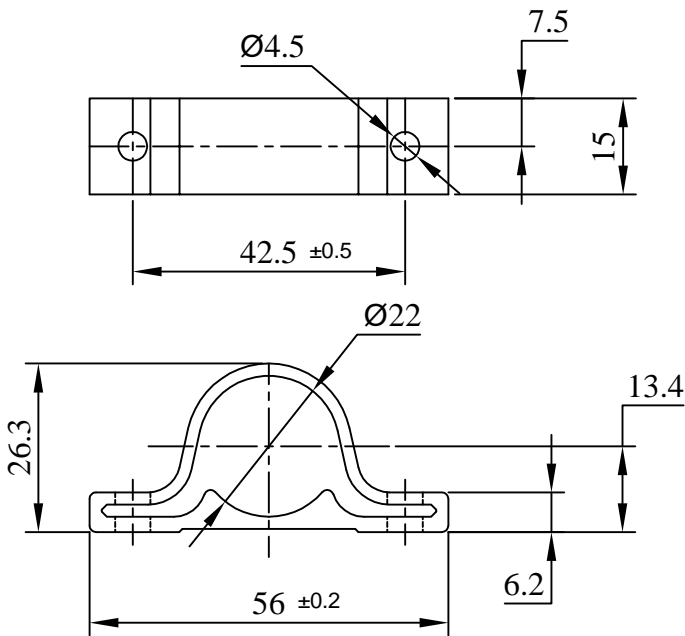
Sheet 2 of 3



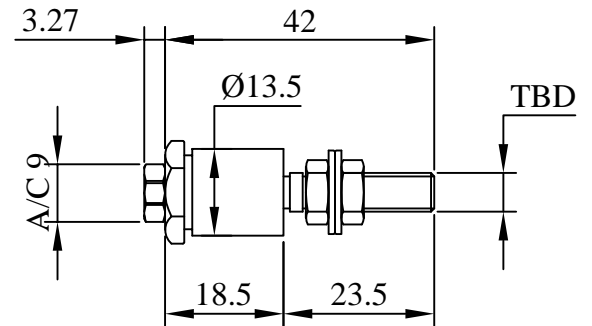
MALE REB (C1)



FEMALE REB (C2)



MOUNTING CLAMP (OPTIONAL)



LINK BALL

UNI-AUTOMATION (I) PVT LTD

TEL/FAX:+91-20-24440890

[www.uniautomation.com](http://www.uniautomation.com)

CONDUCTIVE PLASTIC  
LINEAR MOTION POTENTIOMETER

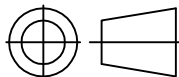
MODEL WT22 (xxx)

FIRST ISSUE : 07/05/2015

SCALE :1:1

TOLERANCES  
DIN-ISO 2768-1 (1991-06)  
(TOLERANCE CLASS-MEDIUM)

UAPL PART NO  
SEE PART NO. TABLE



CUSTOMER DRAWING REF NO  
NA

REV -00

CUSTOMER : UAPL STANDARD

SHEET 2 of 3

# OUT PUT SIGNALS MODULE (OPTIONAL)

