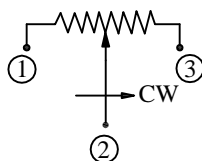
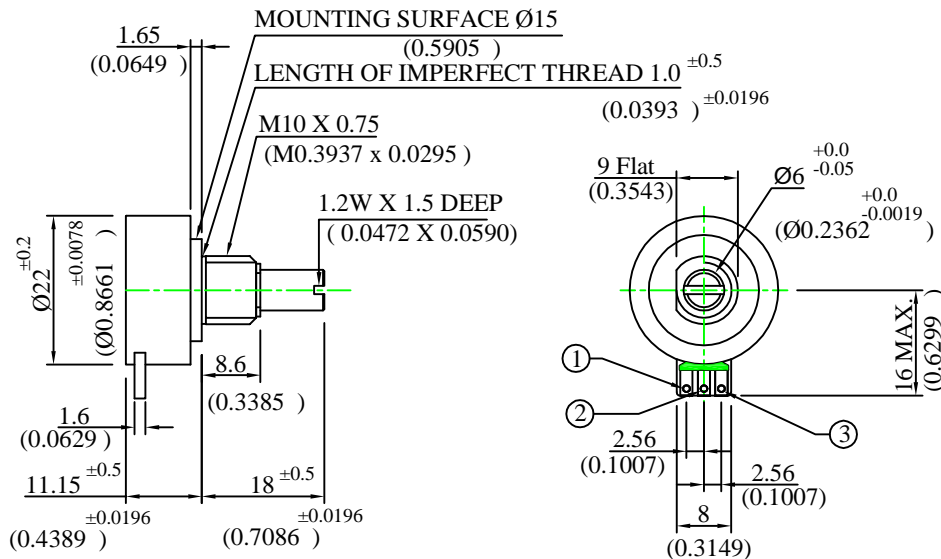


DIMENSIONS :-METRIC (INCH)



ELECTRICAL SCHEMATIC DIAGRAM

- FEATURES:-**
1. CONDUCTIVE PLASTIC LONG LIFE RESISTANCE ELEMENT.
 2. PRECIOUS METAL HIGH TECHNOLOGY WIPER GIVES NOISE FREE OUTPUT.
 3. SPECIAL SMALLER ELECTRICAL ANGLESAVAILABLE OPTION.

ELECTRICAL CHARACTERISTICS :-	UNITS	VALUE
RESISTANCE ELEMENT...	--	CONDUCTIVE PLASTIC
RESISTANCE RANGE...	Ohms	500,1K,2K,5K,10K (OTHER VALUES UPTO 100K)
RESISTANCE TOLERANCE...	±%	20
STANDARD INDEPENDENT LINEARITY TOLERANCE...(IEC 393)...	±%	2
ELECTRICAL ANGLE...	DEGREES	320°±5°
RESOLUTION...	--	ESSENTIALLY INFINITE
TEMPERATURE COEFFICIENT OF RESISTANCE(TCR)...	ppm/deg C	±400
POWER RATING @ 70°C...	WATTS	1.0
INSULATION RESISTANCE @ 500 VDC...	M Ohms	1000
DIELECTRIC STRENGTH @ 50 HZ...	V ac	500
MAXIMUM WIPER CURRENT...	mAmps	1
SHORT TIME WIPER CURRENT 10 SEC. ...	mAmps	10
END VOLTAGE AS A % OF APPLIED VOLTAGE...	%	LESS THAN 0.5

MECHANICAL CHARACTERISTICS :-

ROTATION (MECHANICAL ANGLE)...	DEGREES	360°
BEARING TYPE...	--	SLEEVE
TORQUE... STARTING...	NMM (OZ INCH)	5 (0.708)
TORQUE... RUNNING...	NMM (OZ INCH)	4 (0.566)
SPANNER SIZE OF NUT...	M.M.	14
NUT TIGHTENING TORQUE...	N.M.	0.8
AXIAL PLAY...	M.M.(INCH)	0.2 (0.00787) MAX
RADIAL PLAY...	M.M.(INCH)	0.2 (0.00787) MAX

ENVIRONMENTAL CHARACTERISTICS :-

OPERATING TEMPERATURE...	DEGREES C	-40 to +105
ROHS COMPLIANCE...	--	Yes

PERFORMANCE :-

ROTATIONAL LIFE (SHAFT REVOLUTIONS)...	NOS.	5,000,000
--	------	-----------

MATERIALS OF CONSTRUCTION:-

HOUSING...	--	ENGG. PLASTIC
SHAFT...	--	STAINLESS STEEL
TERMINALS...	--	PADS ON PCB,GOLD PLATED
MOUNTING HARDWARE ...	--	LOCK WASHER-STEEL + NUT-BRASS, A/F 14 X 3 MM,BOTH NICKEL PLATED
BUSHING...	--	INDUSTRIAL BRASS

SOLDERING RECOMMENDATION :- USE SOLDERING IRON AT 350° C FOR 3 SECOND MAXIMUM.
 CLEAN THE SOLDERED PADS WITH ISOPROPYL ALCOHOL AFTER SOLDERING.
 CONTINUOUS IMPROVEMENTS ARE BEING MADE FOR ENHANCING PERFORMANCE FOR CUSTOMER BENEFIT IN PRODUCT DESIGN & PROCESS.THE PRODUCT SUPPLIED MAY BE SLIGHTLY DIFFERENT THAN DESCRIBED BY ABOVE SPECIFICATIONS
 NOTE:- (REV.DETAILS)ADD SCREW DRAWER SLOT.

UNI-AUTOMATION (I) PVT LTD
 TEL/FAX:+91-20-24440890
 www.uniautomation.com

FIRST ISSUE :07/05/2015 SCALE:- 1:1

TOLERANCES
 DIN-ISO 2768-1 (1991-00)
 (TOLERANCE CLASS-MEDIUM)

UAPL PART NO
129370

CONDUCTIVE PLASTIC POTENTIOMETER

NP21-370

CUSTOMER DRAWING REF NO
 NA

CUSTOMER : UAPL STANDARD

REV - 01
 SHEET 1 of 1