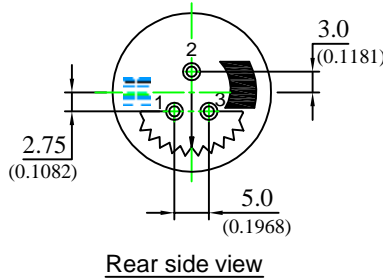
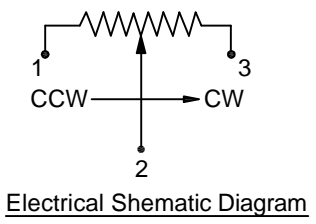
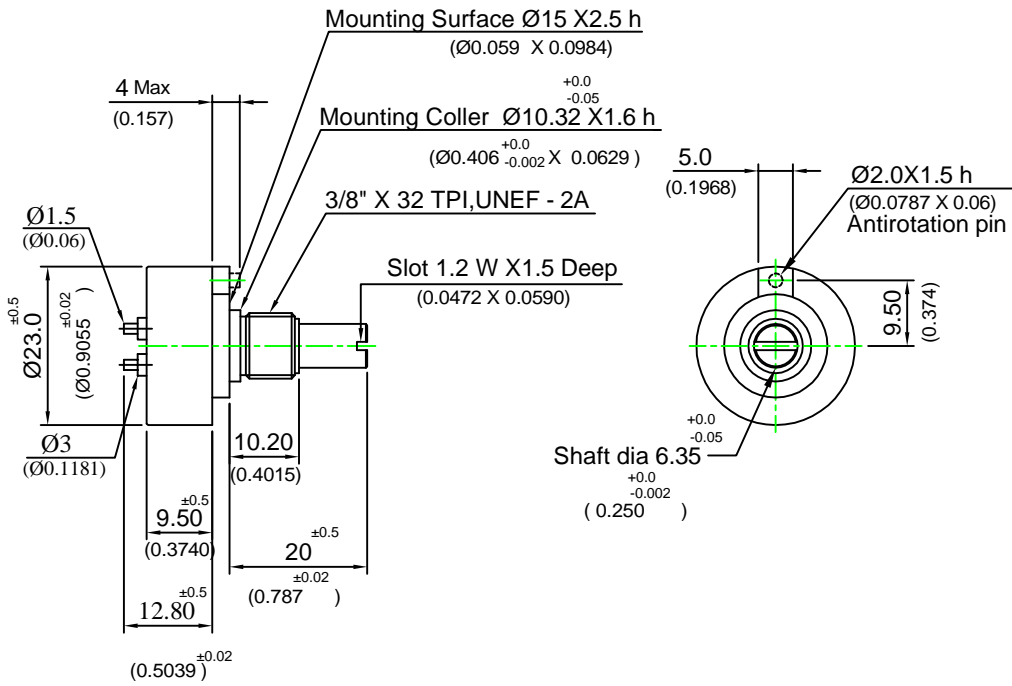


Dimensions :- Metric (Inch)



Features:-
 1. Conductive plastic long life resistance element.
 2. High quality engineering plastic sturdy low profile body.
 3. Precious metal high technology wiper gives noise free output.

ELECTRICAL CHARACTERISTICS :-	UNITS	VALUE
Resistance Element.....	--	Conductive Plastic
Resistance Range.....	Ohms	1k,5k,10k(other value up to 100k)
Resistance Tolerance.....	±%	20
Standard Independent Linearity Tolerance...(IEC 393)..	±%	2.0
Electrical angle...	Degrees	320° ±5°
Resolution.....	--	Essentially infinite
Temperature Coefficient of Resistance(TCR).....	ppm/deg C	±400
Power Rating @ 70°C.....	Watts	1.0
Insulation Resistance @ 500 Vdc.....	M Ohms	1000
Dielectric Strength @ 50 Hz.....	V ac	500
Maximum Wiper current.....	mAmps	1
short time wiper current 10 sec.	mAmps	10
End voltage as a % of applied voltage	%	Less than 0.5

MECHANICAL CHARACTERISTICS :-		
Rotation (Mechanical Angle) With end stop.....	Degrees	330° ±5°
Bearing Type.....	--	Sleeve
Torque... Starting.....	Nmm (Oz inch)	5 (0.708)
Torque... Running.....	Nmm (Oz inch)	4 (0.566)
Spanner size of nut	m.m.	14
Nut tightning Torque.....	N.m.	0.8
Axial Play	m.m.(inch)	0.2 (0.00787) max
Radial Play	m.m.(inch)	0.2 (0.00787) max

ENVIRONMENTAL CHARACTERISTICS :-		
Operating Temperature.....	Degrees C	-40 to +105
ROHS compliance	--	Yes

PERFORMANCE :-		
Rotational Life (shaft Revolutions)....	Nos.	5,000,000

MATERIALS OF CONSTRUCTION:-		
Housing.....	--	Engg. Plastic
Shaft.....	--	Stainless Steel
Terminals.....	--	Brass,gold plated
Mounting Hardware	--	Lock Washer-steel + Nut-Brass, A/F 14 X 3 mm,both Nickel plated
Bushing.....	--	Industrial Brass

Soldering Recommendation :- Use soldering Iron at 350° C for 3 second maximum. Clean the soldered pads with Isopropyl alcohol after soldering. Continuous improvements are being made for enhancing performance for customer benefit in product design & process. The product supplied may be slightly different than described by above specifications

Uni-Automation (I) Pvt Ltd
 Tel/Fax:+91-20-24440890
 www.uniautomation.com

CONDUCTIVE PLASTIC POTENTIOMETER

NP23-328

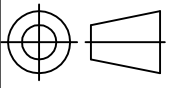
FIRST ISSUE : 07/05/2015

SCALE:-1:1

TOLERANCES
 DIN-ISO 2768-1 (1991-06)
 TOLERANCE CLASS-MEDIUM)

UAPL PART NO

129328



CUSTOMER DRAWING REF NO
NA

REV - 00

CUSTOMER : UAPL STANDARD

SHEET-1of1