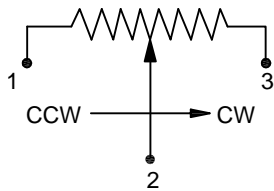
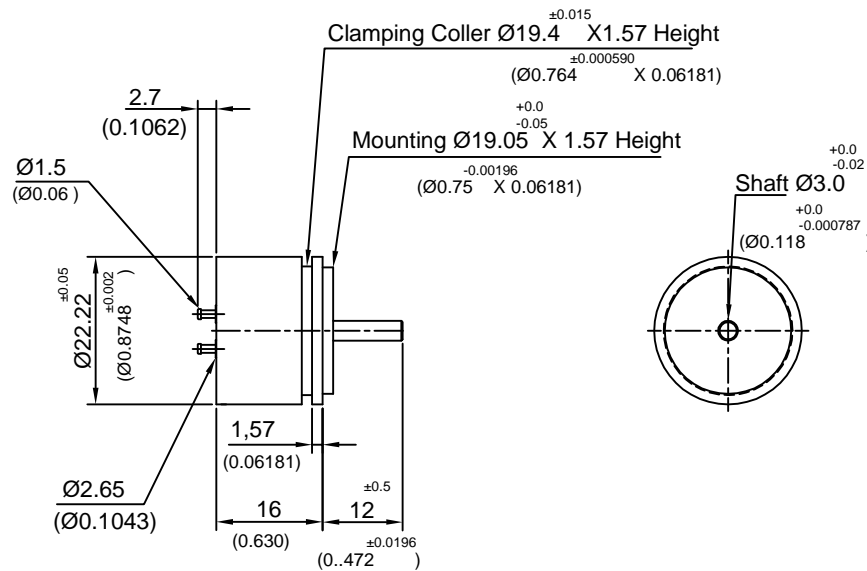
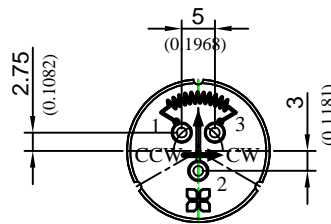


Dimensions :- Metric (Inch)



Electrical Schematic Diagram



REAR SIDE VIEW

Features:-

1. Conductive plastic long life resistance element.
2. Anodized Aluminium precision machined body
3. Precious metal high technology wiper gives noise free output.

ELECTRICAL CHARACTERISTICS	UNITS	VALUE
Resistance Element.....	--	Conductive Plastic
Resistance Range.....	Ohms	1k, 2K, 5K, 10K, (Other value up to 100k)
Standard Resistance Tolerance.....	±%	20
Standard Independent Linearity Tolerance...(IEC 393)..	±%	2
Electrical angle....	Degrees	340° ±5°
Resolution.....	--	Essentially infinite
Temperature Coefficient of Resistance(TCR).....	ppm/deg C	±400
Power Rating @ 70°C.....	Watts	1.0
Insulation Resistance @ 500 Vdc.....	M Ohms	1000
Dielectric Strength @ 50 Hz.....	V ac	500
Maximum Wiper current.....	mAmps	1
short time wiper current 10 sec.	mAmps	10
End voltage as a % of applied voltage	%	< 0.5

MECHANICAL CHARACTERISTICS :-

Rotation (Mechanical Angle) continuous	Degrees	360°
Bearing Type.....	--	Ball Bearing
Torque... Starting.....	Nmm. (Ozinch)	5 (0.708)
Torque... Running.....	Nmm. (Ozinch)	3 (0.428)
Axial Play	--	0.13 max.
Radial Play	--	0.13 max.

ENVIRONMENTAL CHARACTERISTICS :-

Operating Temperature.....	Degrees C	-40 to +105
ROHS compliancne	--	Yes

PERFORMANCE :-

Rotational Life (shaft Revolutions)....	Nos.	4,000,000 (Typical)
---	------	---------------------

MATERIALS OF CONSTRUCTION:-

Housing.....	--	Aluminium Anodized
Shaft.....	--	Stainless Steel
Terminals.....	--	Brass gold plated
Mounting Hardware ...	--	Not Applicable

SOLDERING RECOMMENDATION :- use soldering iron at 350° c for 3 second maximum. clean the soldered pads with isopropyl alcohol after soldering. continuous improvements are being made for enhancing performance for customer benefit in product design & process.the product supplied may be slightly different than described by above specifications

Uni-Automation (I) Pvt Ltd

Tel / Fax:+91-(020) - 24420890

www.uniautomation.com

SINGLE TURN CONDUCTIVE PLASTIC POTENTIOMETER

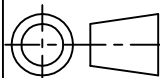
MODEL NPS22 (332)

First Issue : 2009/02/14

Scale : 1:1

Tolerances
DIN-ISO 2768-1 (1991-06)
(Tolerance class-medium)

UAPL PART NO.
129332



CUSTOMER DRAWING REF NO
NA

Customer : UAPL STANDARD

REV - 01
DATE:-140915
SHEET

1 of 1