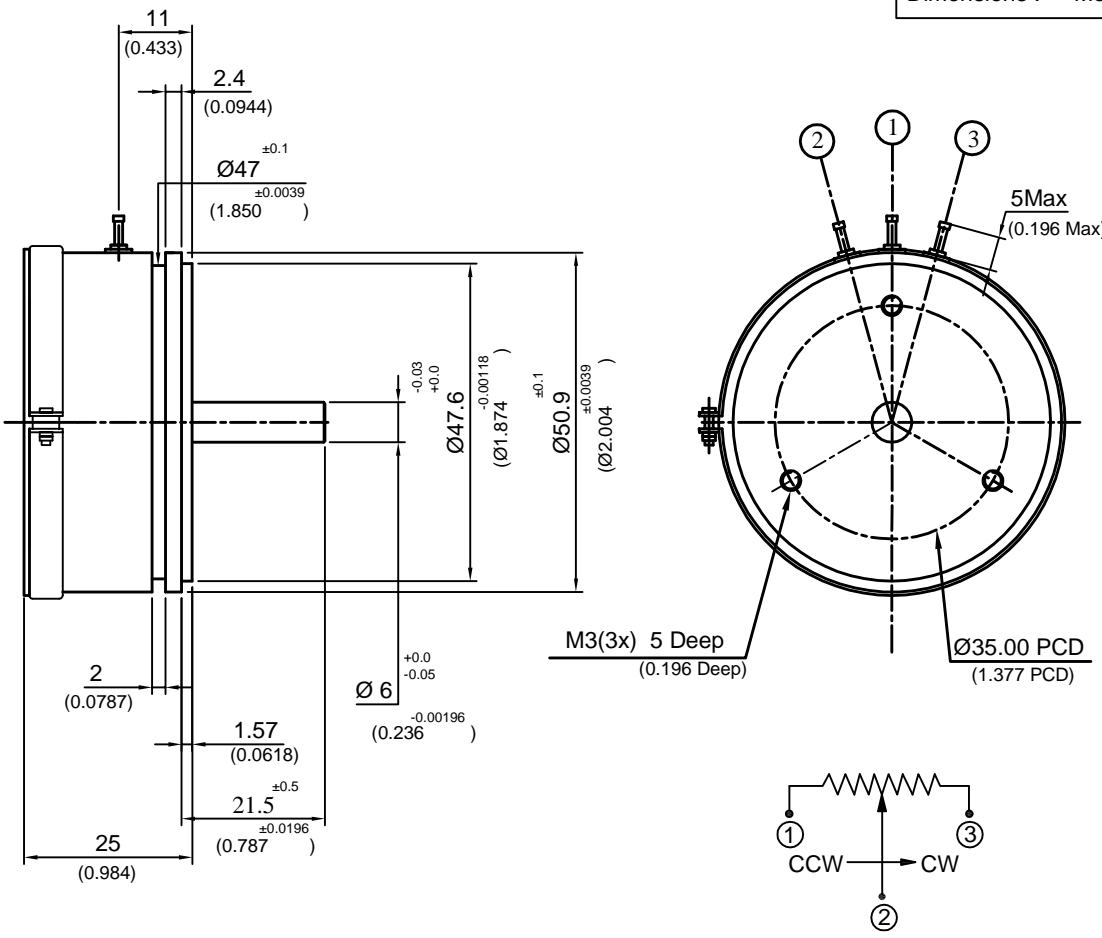


Dimensions :- Metric



Electrical Schematic Diagram

- Features:-**
1. Conductive plastic long life resistance element.
  2. Anodized Aluminium precision machined body.
  3. Precious metal high technology wiper gives noise free output.

ELECTRICAL CHARACTERISTICS	UNITS	VALUE
Resistance Element...	--	Conductive Plastic
Resistance value...	Ohms	1k,2k,5k,10k.
Standard Resistance Tolerances...	%	$\pm 20$
Standard Independent Linearity Tolerances...(IEC 393)...	%	$\pm 0.5$
Electrical angle...	Degrees	$355^\circ \pm 3^\circ$
Resolution...	--	Essentially Infinite
Temperature Coefficient of Resistance (TCR)...	ppm/deg C	$\pm 400$
Power Rating @ 70° C...	Watts	3
Insulation Resistance @ 500 Vdc...	M Ohms	1000
Dielectric Strength @ 50 Hz...	V ac	500
Maximum Wiper current.....	mAmps	1
Short time wiper current 10 sec....	mAmps	10
End Voltage % of Applied voltage.....	%	0.5

**MECHANICAL CHARACTERISTICS :-**

Rotation (Mechanical Angle). .....continuous	Degrees	360°
Bearing Type.....	--	Ball Bearing
Torque... Starting.....	Nmm (Oz inch)	5 (0.708)
Torque... Running.....	Nmm (Oz inch)	4 (0.1574)
Axial Play	m.m.(inch)	0.1 (0.00393)
Radial Play	m.m.(inch)	0.1 (0.00393)

**ENVIRONMENTAL CHARACTERISTICS :-**

Operating Temperature.....	Degrees C	-40 to +105
----------------------------	-----------	-------------

**PERFORMANCE :-**

Rotational Life (shaft Revolutions).....	Nos.	5,000,000
--	------	-----------

**MATERIALS OF CONSTRUCTION:-**

Housing.....	--	Aluminum Anodized
Shaft.....	--	Stainless Steel
Terminals.....	--	Brass, Gold plated stud type terminal

**Soldering Recommendation :-** Use soldering Iron at 350° C for 3 second maximum. Clean the soldered pads with Isopropyl alcohol after soldering. Continuous improvements are being made for enhancing performance for customer benefit in product design & process. The product supplied may be slightly different than described by above specifications

Uni-Automation (I) Pvt Ltd  
Tel/Fax: +91-20-24440890  
www.uniautomation.com

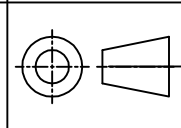
# SERVO POTENTIOMETER CONDUCTIVE PLASTIC

50CP-602

FIRST ISSUE : 07/05/2015 SCALE:- 1:1

Tolerances  
DIN-ISO 2768-1 (1991-06)  
(Tolerance class-medium)

**UAPL PART NO  
129602**



CUSTOMER DRAWING REF NO  
NA

REV - 00

CUSTOMER : UAPL STANDARD

SHEET  
1of1