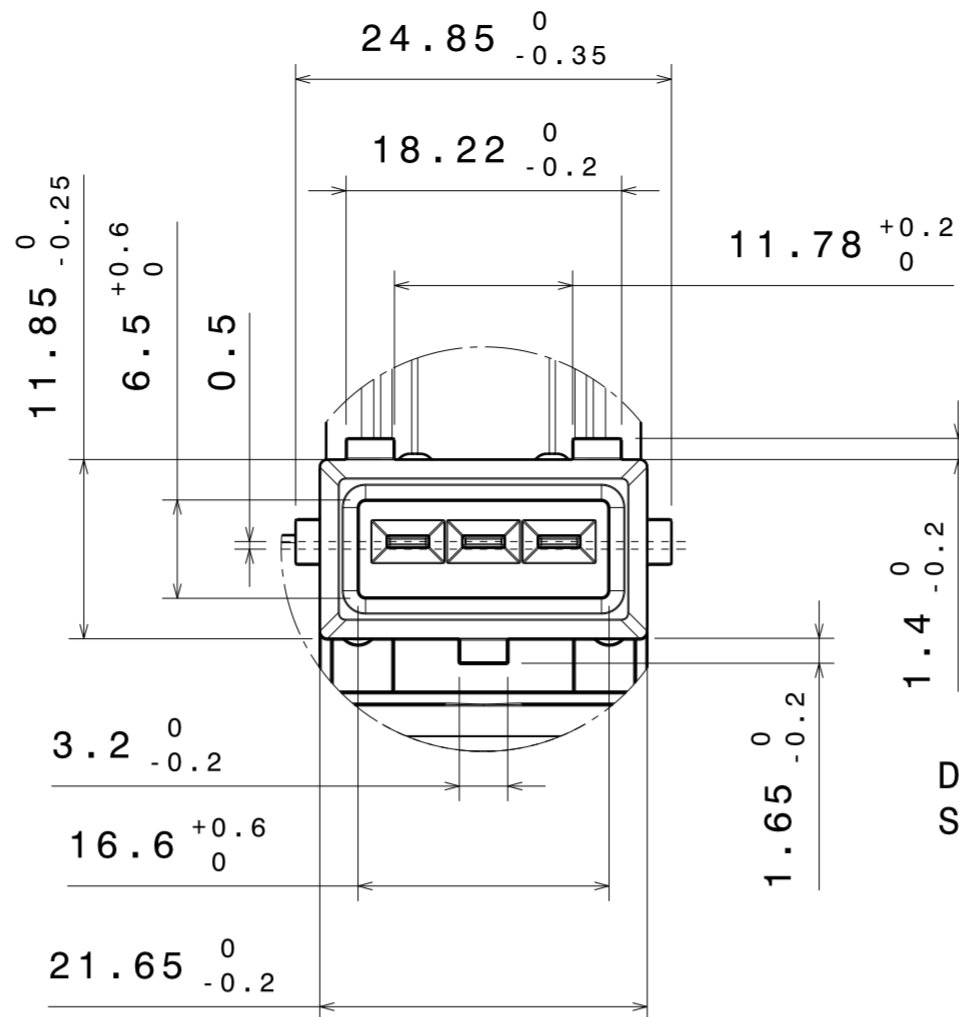
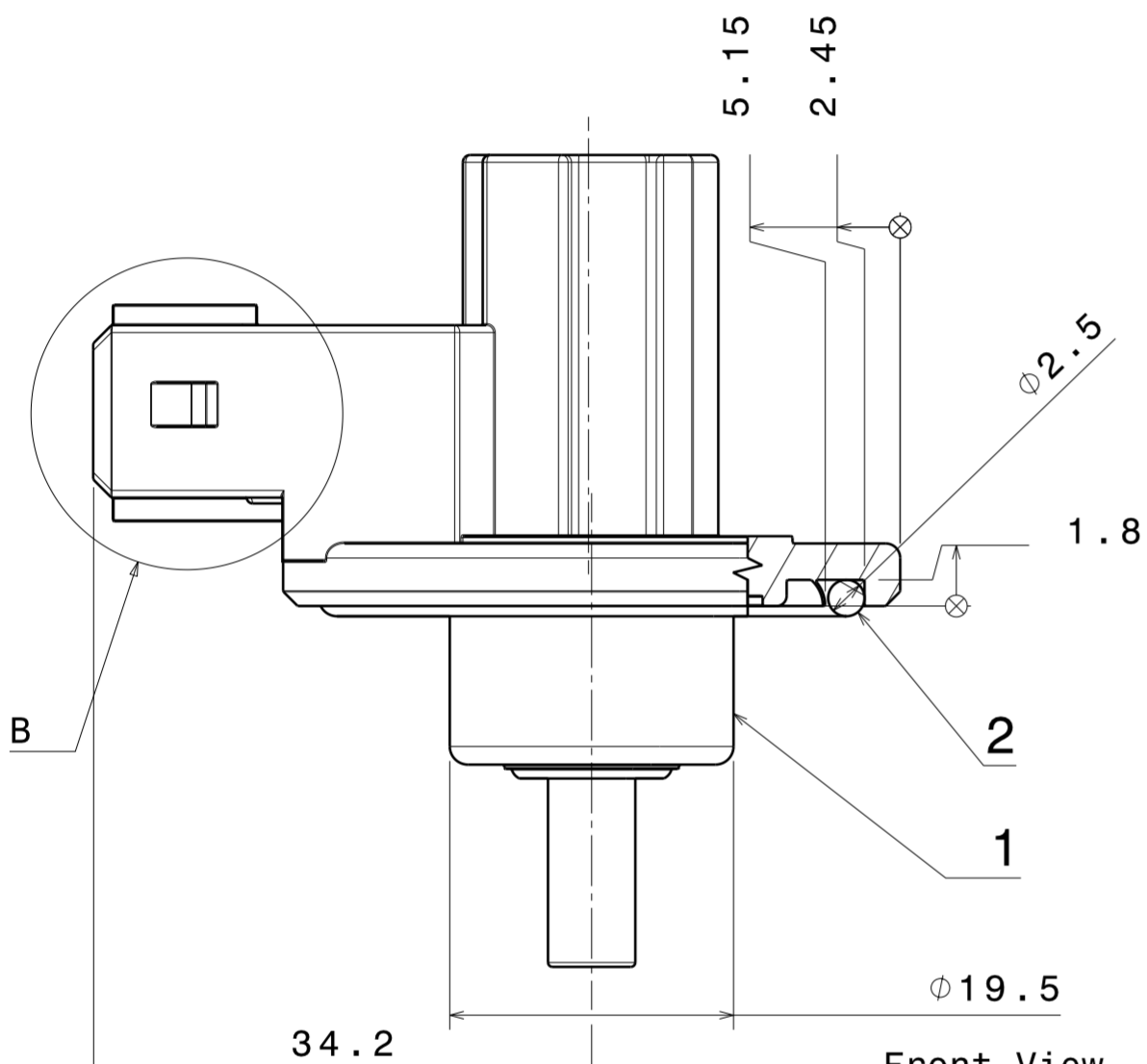


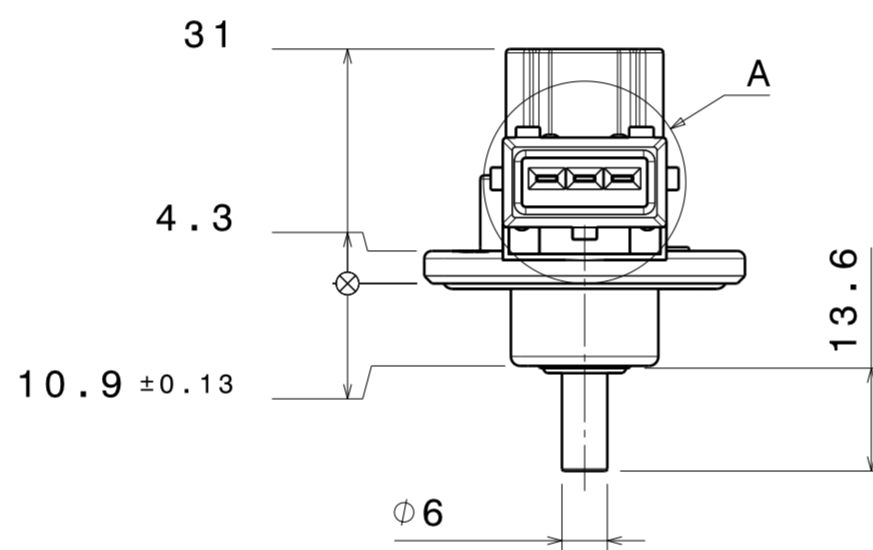
Bottom View
Scale: 1:1



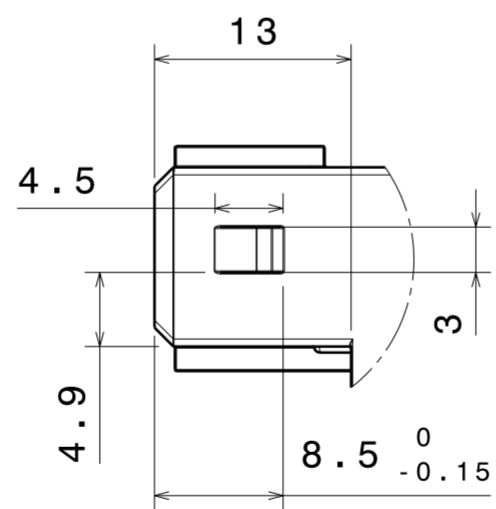
Detail A
Scale: 2:1



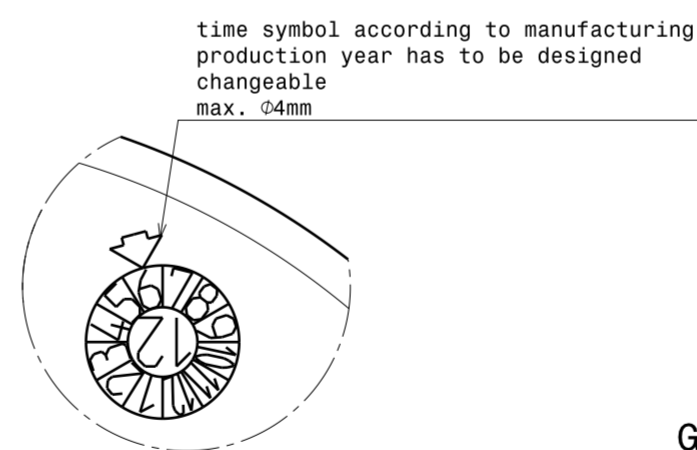
Front View
Scale: 2:1



Left Side View
Scale: 1:1



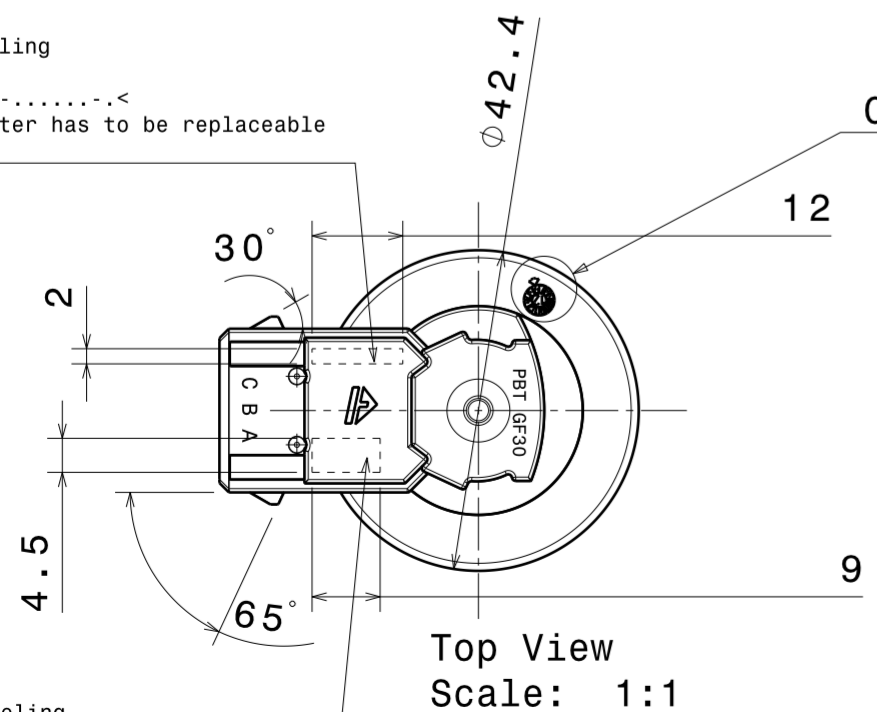
Detail B
Scale: 2:1



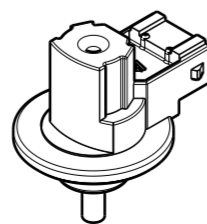
Detail C
Scale: 5:1

area for labeling
part no.: >.....<
(revision letter has to be replaceable insert)

area for labeling
supplier no.: >.....<
tool no.: >././.....<



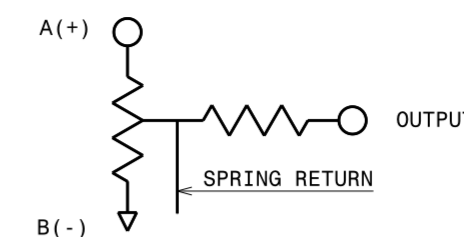
Top View
Scale: 1:1



Isometric View
Scale: 1:2

Pos.	QTY.	Description	Drawing No.	Part No.	Surface	Material
1	1	EGR-linear-sensor	-	-	√Rz12.5	PBT GF30
2	1	o-ring-32,5x2,5	-	-	-	VMQ

ELECTRICAL SCHEMATIC DIAGRAM



PIN ASSIGNMENT

PIN	DESCRIPTION
A	Power supply
B	Gnd
C	Output

DRAFT FOR APPROVAL SPECIFICATION SHEET EGR LINEAR POT

ELECTRICAL CHARACTERISTICS	UNITS	TYPICAL VALUE
RESISTANCE ELEMENT...	--	CONDUCTIVE PLASTIC
RESISTANCE VALUE...	Ohm	4K±40% (0.3K /MM)
WIPER PROTECTION RESISTANCE...	Ohm	1K±50%
INPUT VOLTAGE...	VDC	5±0.5
LINEARITY TOLERANCE...	±%	2
LINEARITY TOLERANCE (AFTER LIFE TESTING)...	±%	4
ELECTRICAL FUNKTION STROKE	STROKE MM	12
ELECTRICAL VOLTAGE LIMIT	VDC	30
POWER RATING AT 70°C...	WATTS	0.5
MAXIMUM WIPER CURRENT...	mAmps	1
SHORT TIME WIPER CURRENT ≤ 5 SEC.	mAmps	10
HYSTERESIS	±	1.0%

MECHANICAL CHARACTERISTICS	STROKE MM	TYPICAL VALUE
MECHANICAL STROKE...(MAX.)	STROKE MM	13.5
LIFE CYCLE	CYCLES	5 MIO FULL STROKE AT 3Hz
LIFE CYCLE (DITHER)...	CYCLES	300M ±0.125MM AT 175Hz-135°C
FORCE (SPRING RETURN)...	N	

ENVIRONMENTAL CHARACTERISTICS	°C	TYPICAL VALUE
OPERATING TEMPERATURE...	°C	-40°C TO 175°C
SALT SPRAY...	--	24hrs (5%NaCl)
HUMIDITY...	--	144 hrs AT 95% RH

TO BE DEFINED:
-O-Ring DIMENSION + MATERIAL

Gen. draft angle 1,5°
Not dimensioned geometry please refer to 3D model
Finish of outside surfaces VDI 3400 NR. 30
Connector suitable for coupling of BOSCH-REF.NO.: 1284 4850 64
Thorough cleaning to be done outside the EGR-linear-sensor
(No attachment of oil, lubricant, auxiliary material, etc...).

Drawn with: CATIA V5R19	General tol DIN ISO 2768-m	Tol. of form/pos acc. to DIN ISO 2768-K	Scale:5:1; 2:1; 1:1; 1:2 28g
Date 23/04/12	Name Strung	Material, semifinished part: Raw part no.: Model/die no.:	
Chk'd	Rel'd	Description EGR-linear-sensor	
Format A2		Drawing no. B-00202-0035-A	
Huber Group Frestwiesen Industrie- und Businesspark 219 D-73347 Mühlhausen		Sheet 1 1 sheets	
Resp	Change	Date	Subst. f.: 3D-mod.no.: B-00202-0035-A