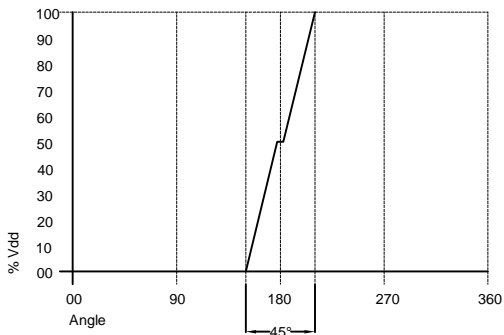
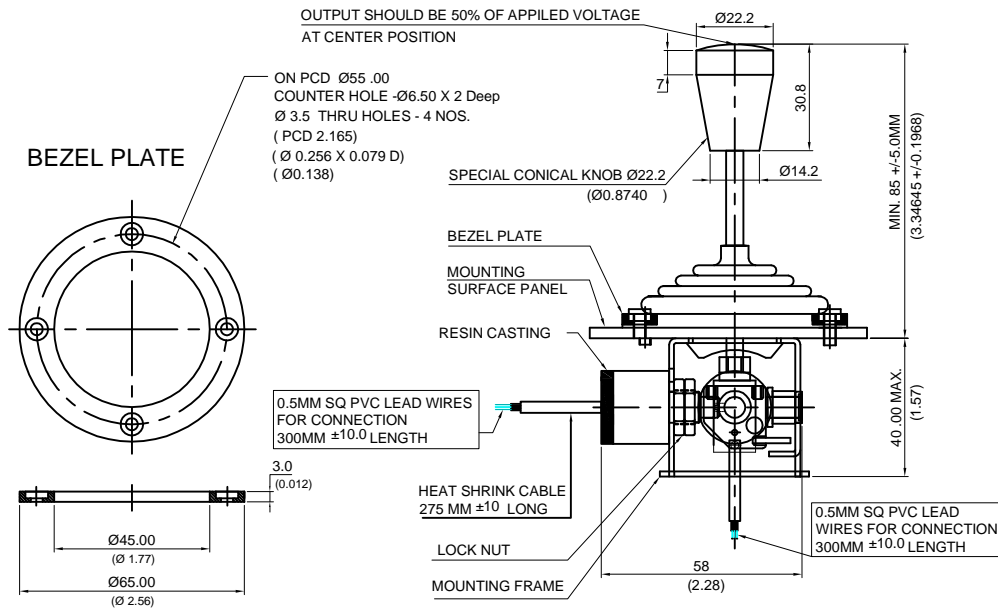


DIMENSIONS :- METRIC (INCH)



OUTPUT CHARACTERISTICS GRAPH

ELECTRICAL CHARACTERISTICS :-	UNITS	VALUE
ELECTRICAL ANGLE...	DEGREES	45°±5°
ELECTRICAL DEAD ZONE...	DEGREES	5°
MOVEMENT OF STICK...	DEGREES	25 - 0 - 25
OPERATING INPUT VOLTAGE RANGE...	Vdc	5 ±0.5
OUTPUT VOLTAGE...	Vdc	0 to 5
STANDARD INDEPENDENT LINEARITY TOLERANCE...(IEC 393)..	±%	1.0
RESOLUTION...	%	0.025 of Vdd
REVERSE VOLTAGE PROTECTION...	Vdc	-12 (Breakdown at -14)
OVER VOLTAGE...	Vdc	24 Max.
OUTPUT CURRENT...	mA	30 Max.
OUTPUT LOAD...	K	4.7 Min. 10 TYPICAL
SUPPLY CURRENT...	mA	10 Max.
DIELECTRIC STRENGTH...	V rms	750
INSULATION RESISTANCE...	M	1000
ELECTROSTATIC DISCHARGE (ESD)...	Kv	2

ENVIRONMENTAL CHARACTERISTICS

OPERATING TEMPERATURE...	DEGREE C	-40 TO +125
ROHS COMPLIANCE...	--	YES

PERFORMANCE...

LIFE ...	NO OF CYCLE	5,000,000
----------	-------------	-----------

MATERIAL OF CONSTRUCTION:-

HOUSING...	--	ALUMINIUM ANODIZED
SHAFT...	--	STAINLESS STEEL
TERMINAL...	--	0.5MM SQ PVC LEAD WIRES
MOUNTING FACILITY...	--	FRAME & S.S. PLATE WITH M3 CSK HOLES
RUBBER BOOT...	--	NITRIAL RUBBER...
MOUNTING FLANGE...	--	STAINLESS STEEL...

UNI-AUTOMATION (I) PVT. LTD.

TEL / FAX :+91- (020) - 24420890

www.uniautomation.com

JOYSTICK CONTROLLER

MODEL CLJ-102 (xxx)
(TWO AXIS)

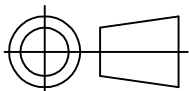
FIRST ISSUE : 2017/09/05

SCALE : 1:1

TOLERANCE
DIN-ISO 2768-1 (1991-06)
(TOLERANCE CLASS-MEDIUM)

UAPL PART NO.

169xxx



CUSTOMER DRAWING REF NO
NA

REV - 00

CUSTOMER :-UAPL STANDARD

SHEET
1 Of 1