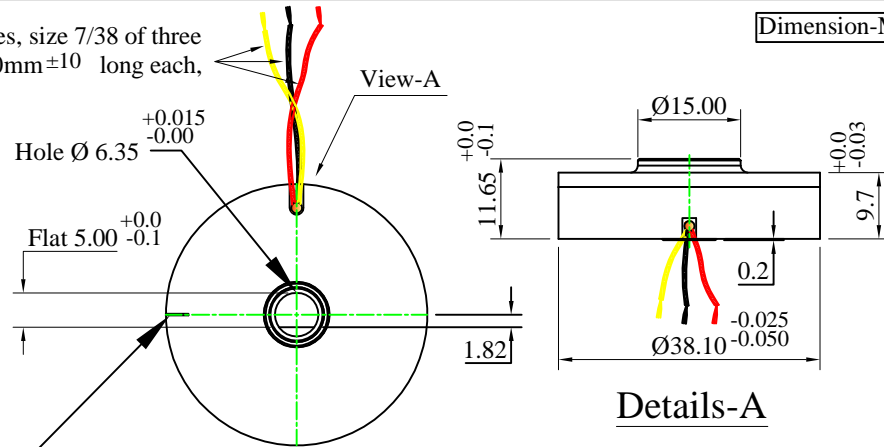


Teflon wires, size 7/38 of three colours 300mm±10 long each,

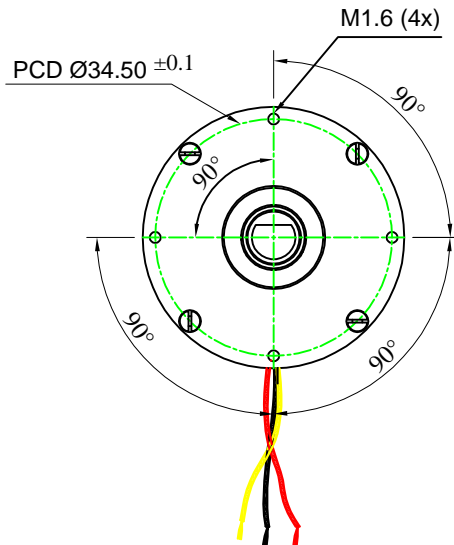
Dimension-Metric



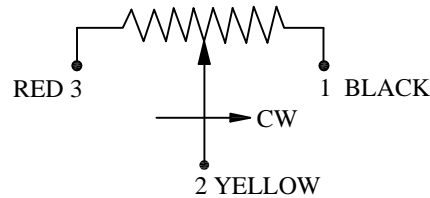
Top View

Details-A

Output voltage will be approx 50% of applied voltage when the flat is parallel to the mark on opposite side of the wire opening



Rear side View



Electrical Schematic Diagram

Features:-

1. Conductive plastic long life resistance element.
2. Stainless steel precision machined body
3. Precious metal high technology wiper gives noise free output.
4. Easy mounting directly on shaft no coupling required.

| ELECTRICAL CHARACTERISTICS | UNITS | VALUE |
|--|-----------|----------------------|
| Resistance Element..... | -- | Conductive Plastic |
| Resistance Range..... | Ohms | 5k |
| Resistance Tolerance..... | ±% | 20 |
| Standard Independent Linearity Tolerance...(IEC 393).. | ±% | 0.5 |
| Electrical angle..... | Degrees | 90°+5°, -0° |
| Resolution..... | -- | Essentially infinite |
| Temperature Coefficient of Resistance(TCR)..... | ppm/deg C | ± 400 |
| Power Rating @ 70°C..... | Watts | 1.0 |
| Insulation Resistance @ 500 Vdc..... | M Ohms | 1000 |
| Dielectric Strength @ 50 Hz..... | V ac | 500 |
| Maximum Wiper current..... | mAmps | 1 |
| short time wiper current 10 sec. | mAmps | 10 |
| End voltage as a % of applied voltage | % | Less than 0.5 |

MECHANICAL CHARACTERISTICS :-

| | | |
|-----------------------------|---------|-----------------------|
| Rotation (Mechanical Angle) | Degrees | 360° |
| Continuous | -- | Shielded ball bearing |
| Bearing Type..... | -- | Shielded ball bearing |
| Torque... Starting..... | Nmm | 2 |
| Torque... Running..... | Nmm | 1.0 |

ENVIRONMENTAL CHARACTERISTICS :-

| | | |
|----------------------------|-----------|-------------|
| Operating Temperature..... | Degrees C | -40 to +105 |
| ROHS compliance | -- | Yes |

PERFORMANCE :-

| | | |
|--|------|---------|
| Rotational Life (shaft Revolutions)..... | Nos. | 500,000 |
|--|------|---------|

MATERIALS OF CONSTRUCTION:-

| | | |
|----------------------------------|------|-------------------------------|
| Housing..... | -- | Non magnetic stainless steel |
| Terminals..... | -- | Teflon wires in three colours |
| Mounting Hardware | -- | NA |
| Wiper | -- | Precious metal , Long life |
| Estimated weight of complete pot | Gram | 61±0.1 |

Continuous improvements are being made for enhancing performance for customer benefit in product design & process. The product supplied may be slightly different than described by above specifications

Uni-Automation (I) Pvt Ltd

Tel / Fax: +91-20-24440890

www.uniautomation.com

SINGLE TURN POTENTIOMETER CONDUCTIVE PLASTIC

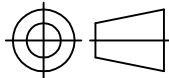
NP38 (HOLLOW SHAFT)

FIRST ISSUE : 07/05/15

SCALE:- 1:1

TOLERANCES
DIN-ISO 2768-1 (1991-06)
(TOLERANCE CLASS-MEDIUM)

UAPL PART NO
129740



CUSTOMER DRAWING REF NO
NA

REV - 00

CUSTOMER :UAPL STANDARD

SHEET 1 of 1