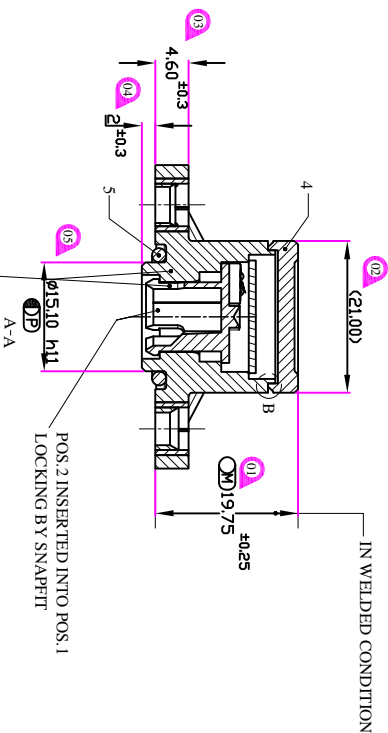


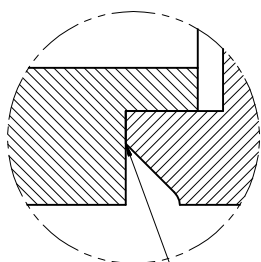
00.AER 910661

MODIFICATION

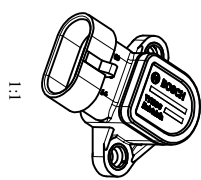
REV. NO.	REV. DETAILS	DATE & SIGN



AXIAL PLAY (MAX 0.3) AND RADIAL PLAY (MAX 0.29) IS ALLOWED BETWEEN POS.1 AND POS.2.

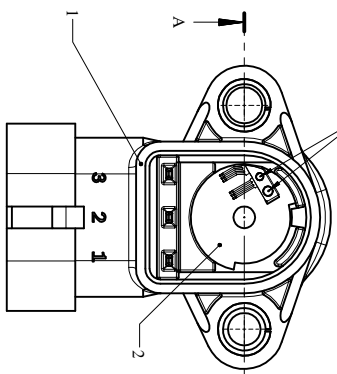


20:1

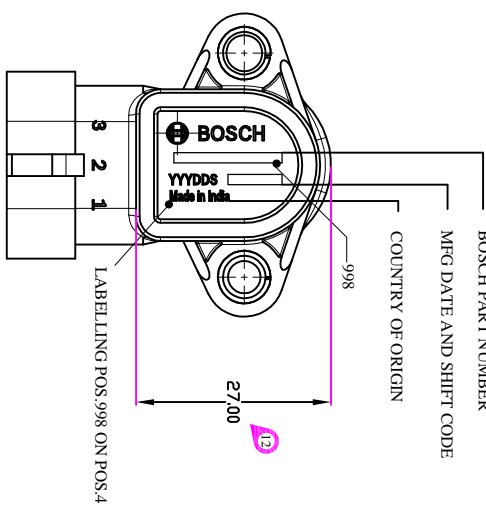
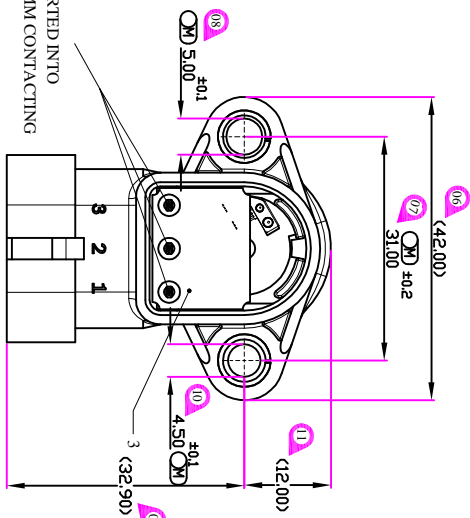


1:1

WIPER IS HOT STAMPED ONTO POS.2



POS.3 IS INSERTED INTO POS.1 BY RAMM CONTACTING



REFER ORDER SPECIFICATION FOR ELECTRICAL SPECIFICATIONS

VALID FOR CUSTOMER PART NUMBER
0 280 122 300
0 280 122 301

MATERIAL

SIGN	DATE
DRN	06.01.16
CHD	BBT
APD	

SURFACE FINISH

THIS DRG IS THE SOLE PROPERTY OF UNI-AUTOMATION (INDIA) PVT.LTD.IT SHOULD NOT BE COPIED OR COMMUNICATED TO ANY PERSON WITHOUT WRITTEN APPROVAL OF UNI-AUTOMATION (INDIA) PVT.LTD.

NO SHARP CORNERS

ALL DIMENSIONS ARE AFTER PLATING

ALL DIMENSIONS ARE AFTER PLATING UNLESS SPECIFIED OTHERWISE

FEMALE THREAD TO IS 418:1967/6H

TOLERANCE FOR OPEN DIMENSIONS DIN ISO 2768-M (1997) MEDIUM

DIMN	OVER	UP TO & INC	TOLERANCE
0.5	6	30	± 0.1
6	120	315	± 0.2
30	120	315	± 0.3
120	315	1000	± 0.5
315	1000		± 0.8

HEAT TREATMENT	SYMBOL

SURFACE TREATMENT	SYMBOL

DESCRIPTION	SYMBOL
END USER SAFETY / STATUTORY PERFORMANCE	
MOUNTING	
LAYOUT INSPECTION	

ORIGIN	IDIR	SIR
0280122300/301		

SCALE	N.T.S

DESCRIPTION	TPS C1

DRG.NO.	199016 REV.00

CUSTOMER	BOSCH

SHEET	- 1 of 1

UNI-AUTOMATION (I) PVT.LTD

37/38, OFF NH4, SHINDEWADI, TAL-KHANDALA, DIST-SATARA -412801