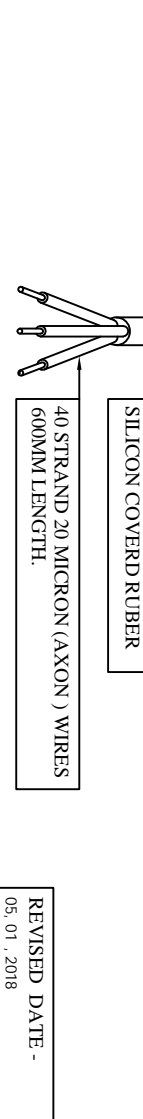
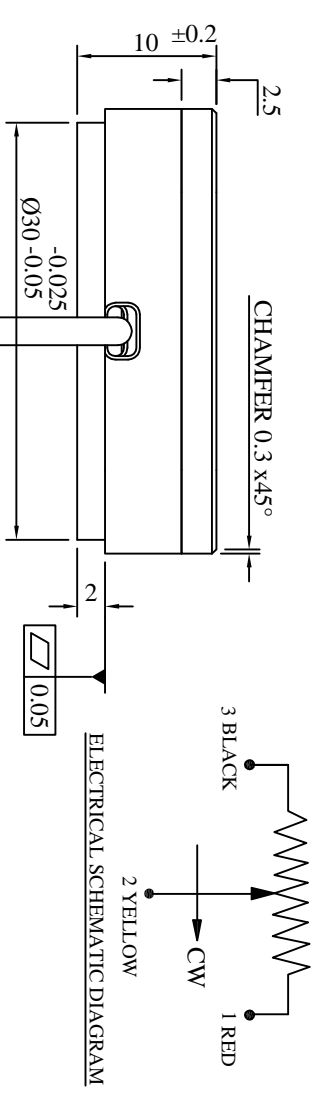
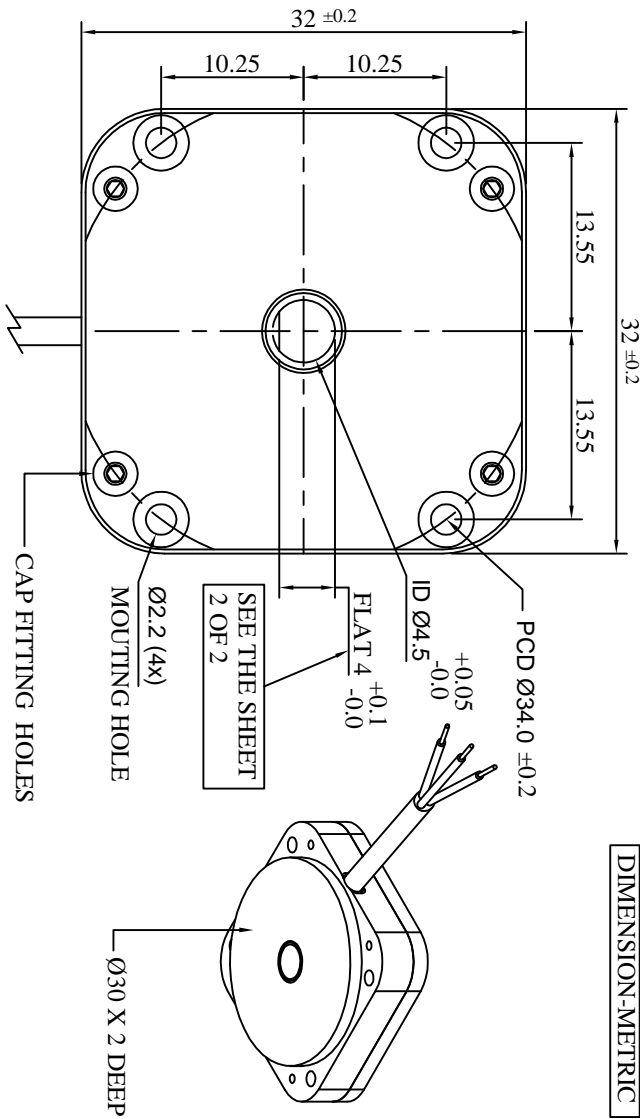


DIMENSION-METRIC



UNI-AUTOMATION (I) PVT.LTD
 TEL / FAX : +91 - (020) - 24420890
 www.uniautomation.com

SINGLE TURN POTENTIOMETER CONDUCTIVE PLASTIC
MODEL NP30 (933)(HOLLOW SHAFT)

FIRST ISSUE : 14/22/02		SCALE: 2:1	
TOLERANCES FOR OPEN DIMENSIONS AS PER DIN ISO 2768-M (1991/90) (TOLERANCE CLASS: MED100)		UAPL PART NO 129933	
CUSTOMER DRAWING REF NO NA		REV - 02 05/01/18	
CUSTOMER : RCI		SHEET 1 of 2	

- FEATURES:-**
1. CONDUCTIVE PLASTIC LONG LIFE RESISTANCE ELEMENT.
 2. STAINLESS STEEL PRECISION MACHINED BODY
 3. PRECIOUS METAL HIGH TECHNOLOGY WIPER GIVES NOISE FREE OUTPUT.

ELECTRICAL CHARACTERISTICS	UNITS	VALUE
RESISTANCE ELEMENT...	--	CONDUCTIVE PLASTIC
RESISTANCE RANGE...	Ohms	5K
RESISTANCE TOLERANCE...	±%	20
STANDARD INDEPENDENT LINEARITY TOLERANCE... (IEC 393)...	±%	0.5
ELECTRICAL ANGLE...	DEGREES	160° ±5°
RESOLUTION...	--	ESSENTIALLY INFINITE
TEMPERATURE COEFFICIENT OF RESISTANCE (TCR)...	ppm/deg C	± 400
POWER RATING @ 70°C...	Watts	1.0
INSULATION RESISTANCE @ 500 VDC...	M Ohms	1000
DIELECTRIC STRENGTH @ 50 HZ...	V ac	500
MAXIMUM WIPER CURRENT...	mAmps	1
SHORT TIME WIPER CURRENT 10 SEC...	mAmps	10
END VOLTAGE AS A % OF APPLIED VOLTAGE...	%	LESS THAN 0.5
TRACKING ERROR FOR 2 TRCK POT *	%	<1

MECHANICAL CHARACTERISTICS :-

ROTATION (MECHANICAL ANGLE) CONTINUOUS...	DEGREES	360°
BEARING TYPE...	--	SHIELDED BALL BEARING
TORQUE... STARTING...	Nmm	3
TORQUE... RUNNING...	Nmm	2.0

ENVIRONMENTAL CHARACTERISTICS :-

OPERATING TEMPERATURE...	DEGREES C	-40 TO +105
ROHS COMPLIANCE	--	Yes

PERFORMANCE :-

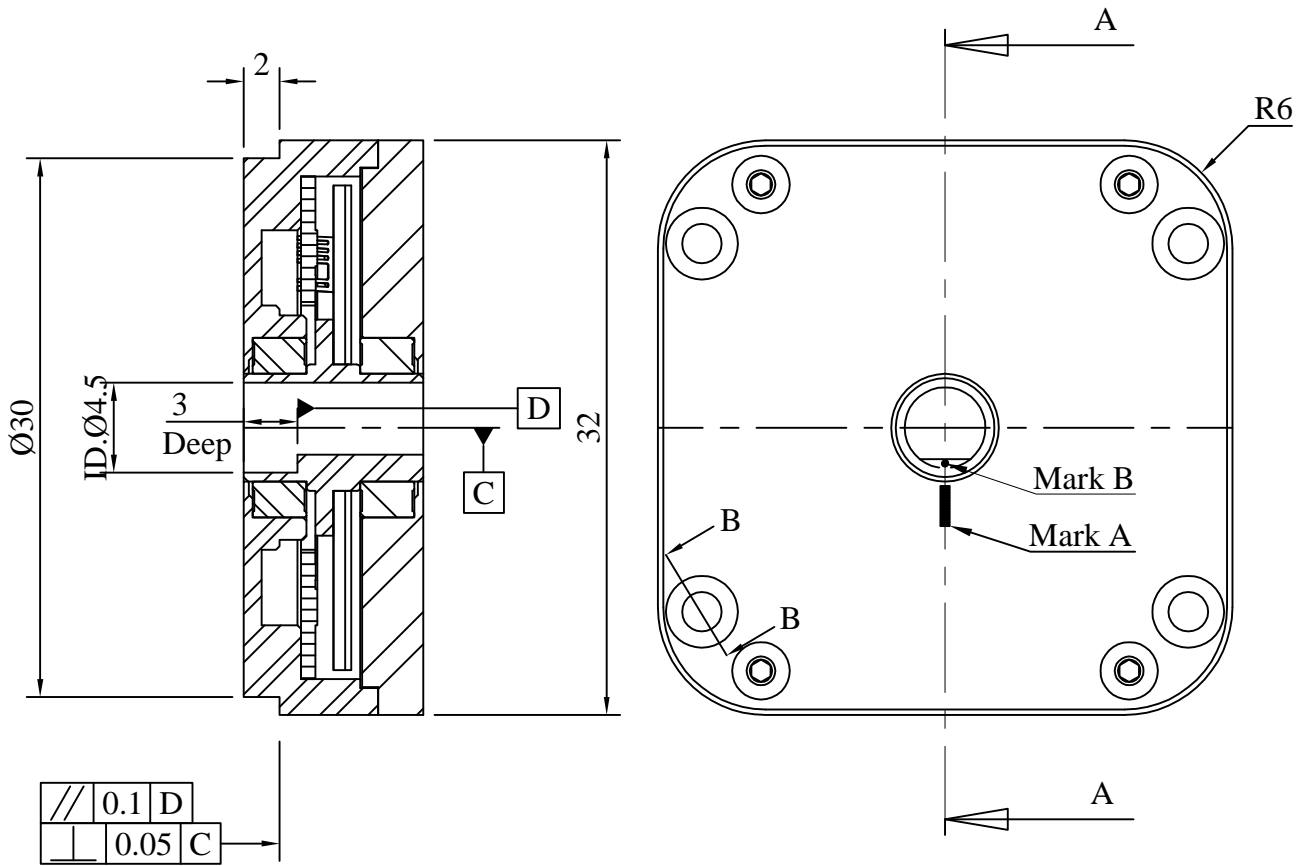
ROTATIONAL LIFE (SHAFT REVOLUTIONS)...	Nos.	2,000,000
--	------	-----------

MATERIALS OF CONSTRUCTION:-

HOUSING...	--	NON MAGNETIC STAINLESS STEEL
TERMINALS...	--	40 STRAND 20 MICRON WIRES IN THREE COLOURS 600MM LENGTH.
MOUNTING HARDWARE...	--	NA
WIPER...	--	PRECIOUS METAL

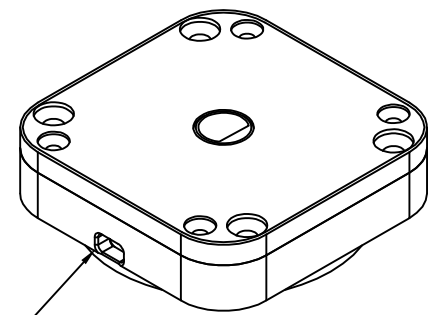
CONTINUOUS IMPROVEMENTS ARE BEING MADE FOR ENHANCING PERFORMANCE FOR CUSTOMER BENEFIT IN PRODUCT DESIGN & PROCESS. THE PRODUCT SUPPLIED MAY BE SLIGHTLY DIFFERENT THAN DESCRIBED BY ABOVE SPECIFICATIONS

***WE PROPOSE TO USE TWO TRACKS FOR THIS CRITICAL APPLICATION.**



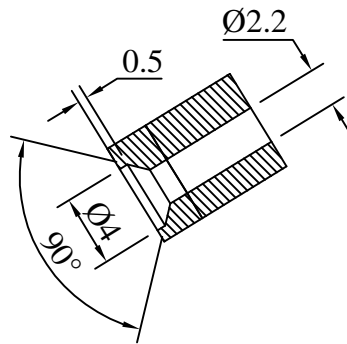
SECTION A-A

Note: The wiper tip is on the center of track when Mark A is aligned with Mark B

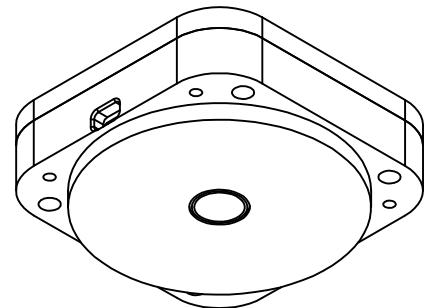


Chamfer 0.2 x 45°

ISOMETRIC TOP SIDE



SECTION B-B MOUNTING HOLES



ISOMETRIC BOTTOM SIDE

UNI-AUTOMATION (I) PVT LTD

TEL / FAX: +91- (020) - 24420890

www.uniautomation.com

SINGLE TURN POTENTIOMETER
CONDUCTIVE PLASTIC

MODEL NP30 (933) (HOLLOW SHAFT)

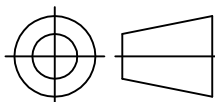
FIRST ISSUE : 14/22/02

SCALE: -2:1

TOLERANCES FOR OPEN DIMENSIONS
AS PER
DIN-ISO 2768-1 (1991-06)
(TOLERANCE CLASS-MEDIUM)

UAPL PART NO

129933



CUSTOMER DRAWING REF NO
NA

CUSTOMER : RCI

REV - 02
05/01/18

SHEET

2of2