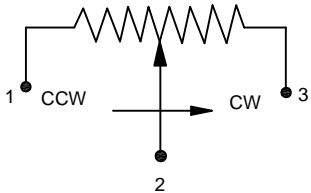
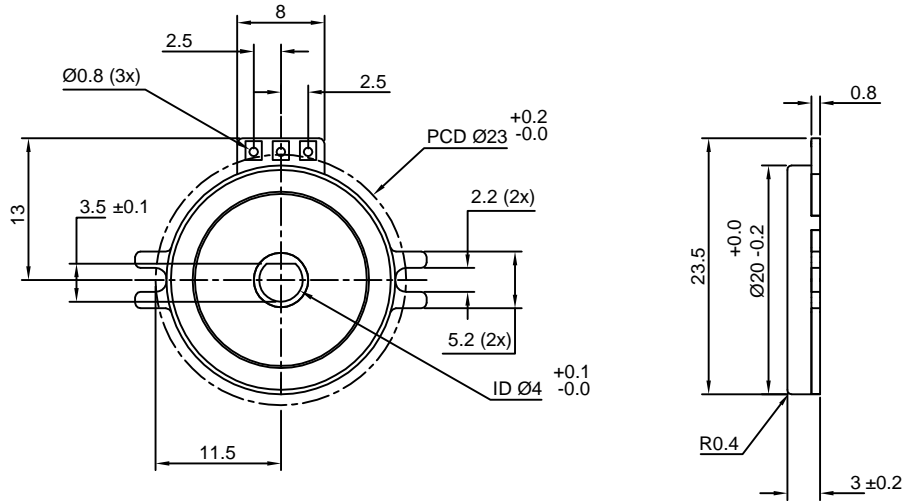
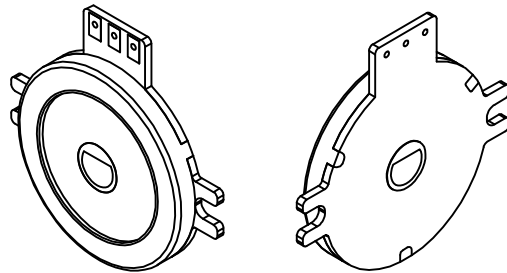


DIMENSIONS :- METRIC



ELECTRICAL SCHEMATIC DIAGRAM



ISOMETRIC VIEW

- Features:-**
1. Conductive plastic long life resistance element.
 2. High quality engineering plastic sturdy low profile body.
 3. Precious metal high technology wiper gives noise free output.

ELECTRICAL CHARACTERISTICS :-	UNITS	VALUE
Resistance Element...	--	Conductive Plastic
Resistance Range...	Ohms	1K,2K,5k,10K other value upto 100K
Resistance Tolerance (Standard)...	±%	20
Standard Independent Linearity Tolerance...(IEC 393)...	±%	2.0
Electrical angle...	Degrees	320° ±5° (Smaller angles optional)
Resolution...	--	Essentially infinite
Temperature Coefficient of Resistance(TCR)...	ppm/deg C	±400
Power Rating @ 70°C...	Watts	0.5
Insulation Resistance @ 500 Vdc...	M Ohms	500
Dielectric Strength @ 50 Hz...	V ac	500
Maximum Wiper current...	mAmps	1
short time wiper current 10 sec. ...	mAmps	10
End voltage as a % of applied voltage...	%	Less than 0.5

MECHANICAL CHARACTERISTICS :-

Rotation (Mechanical Angle) continuous...	Degrees	360°
Bearing Type...	---	Sleeve
Torque... Operating...	Nmm	5
Torque... Running...	Nmm	3.5
Axial play...	m.m.	0.2 max.
Radial play...	m.m.	0.2 max.

ENVIRONMENTAL CHARACTERISTICS :-

Operating Temperature...	Degrees C	-40 to +105
ROHS compliance...	--	Yes

PERFORMANCE :-

Rotational Life (shaft Revolutions)...	Nos.	2,000,000
--	------	-----------

MATERIALS OF CONSTRUCTION:-

Housing...	--	Stainless steel
Shaft (Hollow)...	--	Engineering Plastic
Terminal ...	--	Gold plated pad

Soldering Recommendation :- Clean the soldered pads with Isopropyl alcohol after soldering. Clean the soldered pads with Isopropyl alcohol after soldering. Continuous improvements are being made for enhancing performance for customer benefit in product design & process. The product supplied may be slightly different than described by above specifications

Uni-Automation (I) Pvt Ltd

Tel/Fax:+91-20-24420890

www.uniautomation.com

**CONDUCTIVE PLASTIC
HOLLOW SHAFT POTENTIOMETER**

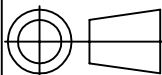
MODEL NP20HS (895)

FIRST ISSUE : 20170903

SCALE:- 2:1

TOLERANCES
DIN-ISO 2768-1 (1991-06)
(TOLERANCE CLASS-MEDIUM)

**UAPL PART NO
129895**



CUSTOMER DRAWING REF NO
NA

REV - 00

CUSTOMER : UAPL STANDARD

SHEET :- 1of1