

ELECTRICAL CHARACTERISTICS		UNITS	VALUE
ACTUAL ELECTRICAL TRAVEL		DEG	360°
OUTPUT		V	5 VDC ANALOG
OUTPUT DIRECTION		—	CW
OPERATING INPUT VOLTAGE		V	5Vdc
OVER VOLTAGE LIMITS		V	24 Vdc
REVERSE VOLTAGE PROTECTION		V	-12 VDC (BREAKDOWN AT -14V)
OUTPUT CURRENT		mA	10 mA Max
OUTPUT LOAD		--	4.7 KΩ MIN, 10 KΩ TYPICAL
ANALOG OUTPUT RESOLUTION		%	0.025% OF VDD
LINEARITY		%	± 1%
SUPPLY CURRENT		mA	10 mA max
DIELECTRIC STRENGTH		--	750 Vdc
INSULATION RESISTANCE @ 500 VDC		Ω	1000 MΩ
ELECTROSTATIC DISCHARGE (ESD)		--	PASSES 2 KV TEST
ENVIRONMENTAL CHARACTERISTICS :-			
OPERATING TEMPERATURE		DEGREES C	-40 to +125 °C
IP PROTECTION		----	IP 50
MECHANICAL CHARACTERISTICS :-			
MECHANICAL TRAVEL		DEGREES C	360°
MATERIALS OF CONSTRUCTION:-			
HOUSING	--		ALUMINIUM
SHAFT	--		S S 304 (NON MAGNETIC)
MAGNET	--		SmCo MAGNET
CIRCLIP	--		S S 304
BEARING	--		BALL BEARING

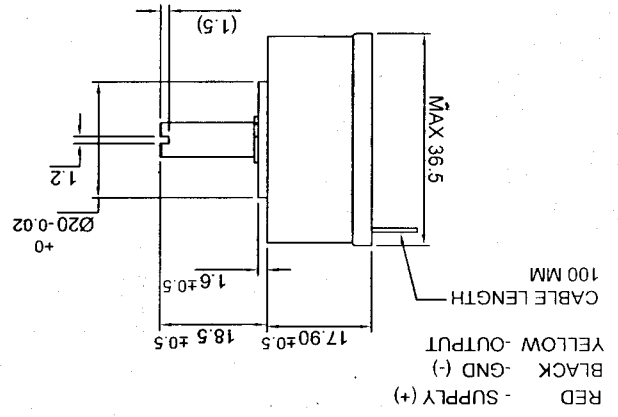
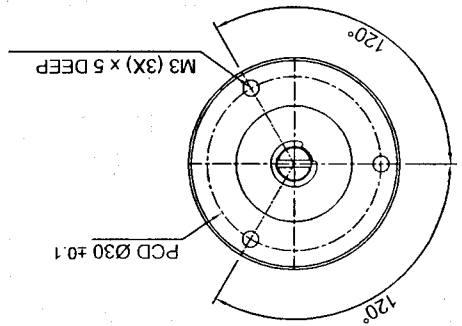
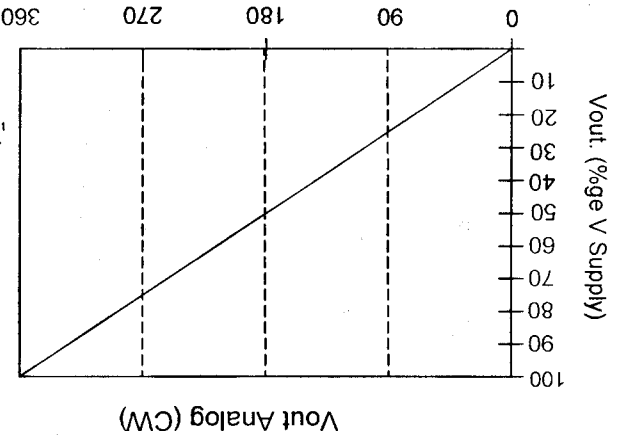
21.50.031

NOTES:  
 1) ALL DIMENSION ARE IN MM  
 2) DATE CODE, UNI LOGO, PART NUMBER ARE LASER MARKED  
 3) BATCH CODE MARKING FORMAT IS GIVEN \*

UN-AUTOMATION (I) PVT LTD Tel/Fax +91-(020)-24420890 www.uniautomation.com		FIRST ISSUE 2018/21/03		SCALE : 1:1	
CONTACTLESS SERVO POTENTIOMETER		MODEL CLS 40			
CUSTOMER DRAWING REF NO		CUSTOMER :		UNAPL PART NO 219013	
REV - 00		SHEET 1 OF 1		TOLERANCES DIN ISO 2768-1 (1991-08) (TOLERANCE CLASS: MEDIUM)	

**MASTER COPY**

BATCH MARKING FORMAT  
 XXXXX  
 WEEK CODE YEAR CODE  
 X X - WEEK NUMBER  
 X X - LAST DIGIT OF YEAR



RED - SUPPLY (+)  
 BLACK - GND (-)  
 YELLOW - OUTPUT