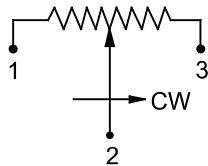
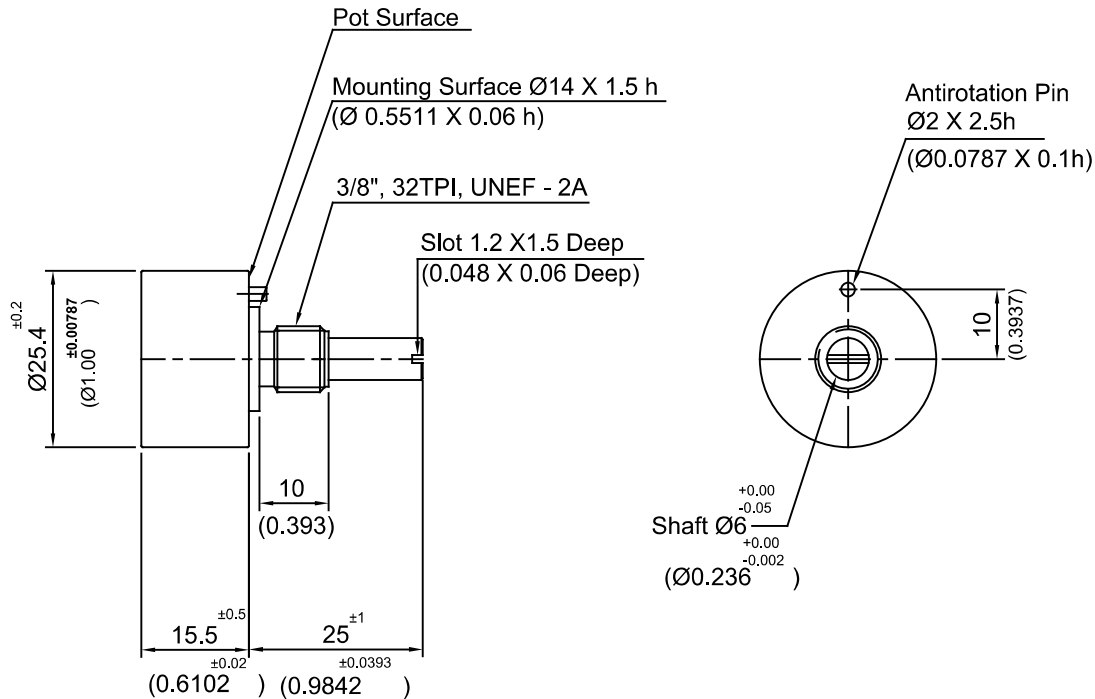
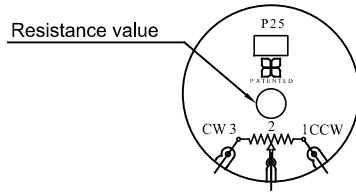


Dimensions :- Metric (Inch)



Electrical Schematic Diagram



Rear Side View

ELECTRICAL CHARACTERISTICS	UNITS	VALUE
Resistance Element...	-	Wire Wound
Resistance value...	Ohms	50,100, 500, 1k,2k,5k,10k. Other values upto 100k
Standard Resistance Tolerances....	%	±10
Standard Independent Linearity Tolerances...(IEC 393)...	%	± 1
Electrical angle...(Smaller angles optional)	Degrees	270° ± 5°
Equivalent Noise Resistances...	Ohms	<100
Resolution...	-	As per turns
Temperature Coefficient of Resistance (TCR)...	ppm/deg C	± 50 Up to 1k ohms ±150 for other values.
Power Rating @ 70° C...	Watts	1
Insulation Resistance @ 500 Vdc...	M Ohms	1000
Dielectric Strength @ 50 Hz...	V ac	500
Maximum Wiper current...	mAmps	1
Short time wiper current 10 sec. ...	mAmps	10
End Resistance...	%	< 0.1 OR 5 Ohms which is higher

**MECHANICAL CHARACTERISTICS :-**

Rotation (Mechanical Angle) With stop...	Degrees	285° ± 5°
Bearing Type...	-	Sleeve
Torque... Starting...	Nmm (Oz inch)	15 (2.124)
Torque... Running...	Nmm (Oz inch)	10 (1.41)
Axial Play...	m.m.(inch)	0.2 (0.00787)
Radial Play...	m.m.(inch)	0.2 (0.00787)

**ENVIRONMENTAL CHARACTERISTICS :-**

Operating Temperature...	Degrees C	- 40 to +105
--------------------------	-----------	--------------

**PERFORMANCE :-**

Rotational Life (shaft Revolutions)....	Nos.	100,000
---	------	---------

**MATERIALS OF CONSTRUCTION:-**

Housing...	--	Engineering Plastics
Shaft...	--	Brass nickel plated
Terminals...	-	Brass Silver plated
Mounting Hardware ...	-	Lock Washer-steel + Nut-Brass, A/F 14 X 3 mm, both Nickel plated
Bushing...	--	Brass Nickel Plated

**Soldering Recommendation :-** Use soldering Iron at 350° C for 3 second maximum.

Clean the soldered pads with Isopropyl alcohol after soldering. Continuous improvements are being made for enhancing performance for customer benefit in product design & process. The product supplied may be slightly different than described by above specifications

Uni-Automation (I) Pvt. Ltd.

Tel / Fax: +91-20-2444 0890

www.uniautomation.com

**SINGLE TURN POTENTIOMETER  
WIRE WOUND**

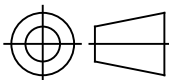
**MODEL P25 (255)**

FIRST ISSUE : 07/05/2015 SCALE:-1:1

TOLERANCES  
DIN-ISO 2768-1 (1991-06)  
(TOLERANCE CLASS-MEDIUM)

**UAPL PART NO.**

**129255**



CUSTOMER DRAWING REF NO  
NA

Customer : UAPL STANDARD

REV - 00

SHEET

1 of 1