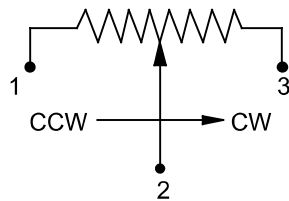
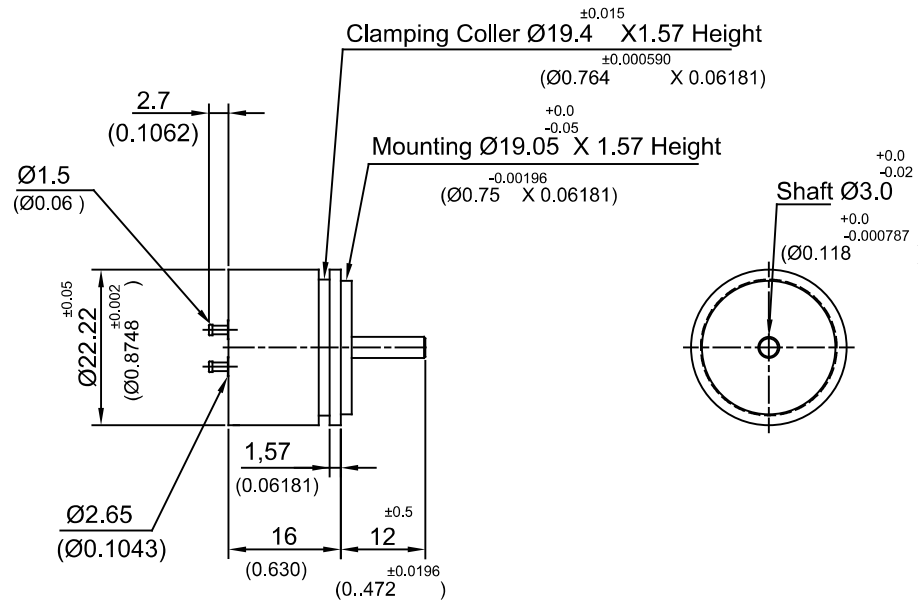
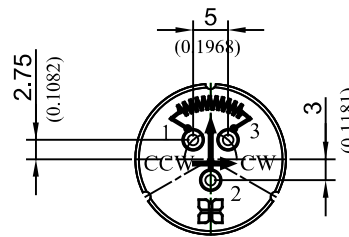


Dimensions :- Metric (Inch)



Electrical Schematic Diagram



REAR SIDE VIEW

Features:-

1. Conductive plastic long life resistance element.
2. Anodized Aluminium precision machined body
3. Precious metal high technology wiper gives noise free output.

ELECTRICAL CHARACTERISTICS	UNITS	VALUE
Resistance Element...	--	Conductive Plastic
Resistance Range...	Ohms	1K, 2K, 5K, 10K, (Other value up to 100k)
Standard Resistance Tolerance...	±%	20
Standard Independent Linearity Tolerance...(IEC 393)...	±%	2
Electrical angle...	Degrees	340° ±5°
Resolution...	--	Essentially infinite
Temperature Coefficient of Resistance(TCR)...	ppm/deg C	±400
Power Rating @ 70°C...	Watts	1.0
Insulation Resistance @ 500 Vdc...	M Ohms	1000
Output Smoothness	%	0.1
Dielectric Strength @ 50 Hz...	V ac	750
Maximum Wiper current...	mAmps	1
short time wiper current 10 sec. ...	mAmps	10
End voltage as a % of applied voltage...	%	< 0.5

MECHANICAL CHARACTERISTICS :-

Rotation (Mechanical Angle) continuous...	Degrees	360°
Bearing Type...	--	Ball Bearing
Torque... Starting...	Nmm. (Ozinch)	5 (0.708)
Torque... Running...	Nmm. (Ozinch)	3 (0.428)
Axial Play...	--	0.13 max.
Radial Play...	--	0.13 max.

ENVIRONMENTAL CHARACTERISTICS :-

Operating Temperature...	Degrees C	-40 to +105
ROHS compliancance...	--	Yes
Vibration...	G	15
Protection class...	IP	40

PERFORMANCE :-

Rotational Life (No load) shaft Revolutions (short stroke)	Nos.	10,000,000
Rotational Life (No load) shaft Revolutions (Dither)...	Nos.	20,000,000

MATERIALS OF CONSTRUCTION:-

Housing...	--	Aluminium Anodized
Shaft...	--	Stainless Steel
Terminals...	--	Brass gold plated
Mounting Hardware ...	--	Not Applicable

SOLDERING RECOMMENDATION :- use soldering iron at 350° c for 3 second maximum.

clean the soldered pads with isopropyl alcohol after soldering. continuous improvements are being made for enhancing performance for customer benefit in product design & process.the product supplied may be slightly different than described by above specifications

Uni-Automation (I) Pvt Ltd

Tel / Fax:+91-(020) - 24420890
www.uniautomation.com

**SINGLE TURN CONDUCTIVE PLASTIC
POTENTIOMETER**

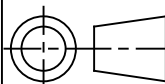
MODEL NPS22 (332)

First Issue : 2009/02/14

Scale : 1:1

Tolerances
DIN-ISO 2768-1 (1991-06)
(Tolerance class-medium)

UAPL PART NO.
129332



CUSTOMER DRAWING REF NO
NA

Customer : UAPL STANDARD

REV - 01
DATE:-140915

SHEET
1 of 1